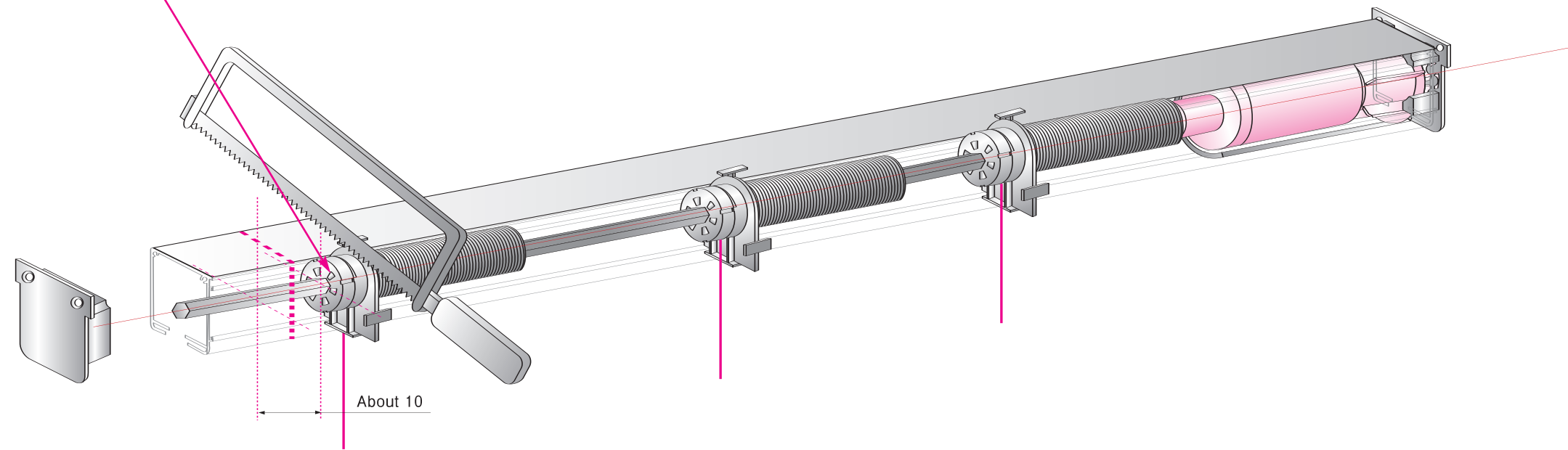


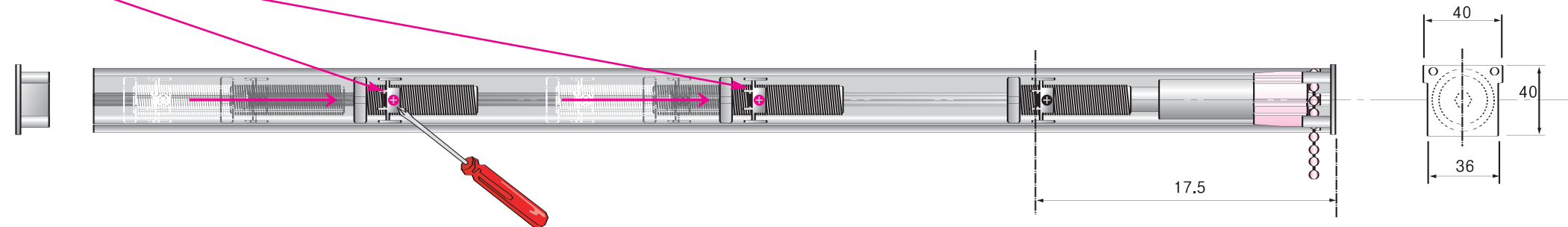
■ Triple assembling

1) Cut off the Aluminum Rail with hexagon bar to make your custom size.

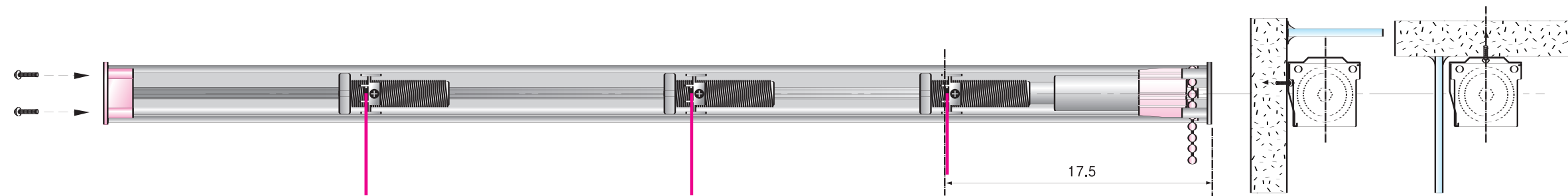
Do close the No1 bobbin in cutting point (about 10cm) to prevent hexagon bar from bending.
If the No1 bobbin is too much emoted from cutting point, the hexagon bar could be bended when you cut aluminum rail.



2) Move No1 and No 2 bobbin to correct place and fix .Do not move finial bobbin No 3



3) Assemble End cap and make finish.



www.winhouse.co.kr

Address : #96-22, Nagha-ri, Tanhyeon-myeon, Paju-si, Gyeonggi-do, Korea.
Tel. 82-31-946-6522 / Fax. 82-31-946-6514 / E-mail : winhouse@winhouse.co.kr

FOR THE BEST WINDOW FASHION

■ Single Cord (Double Brake & Slow)

■ Triple

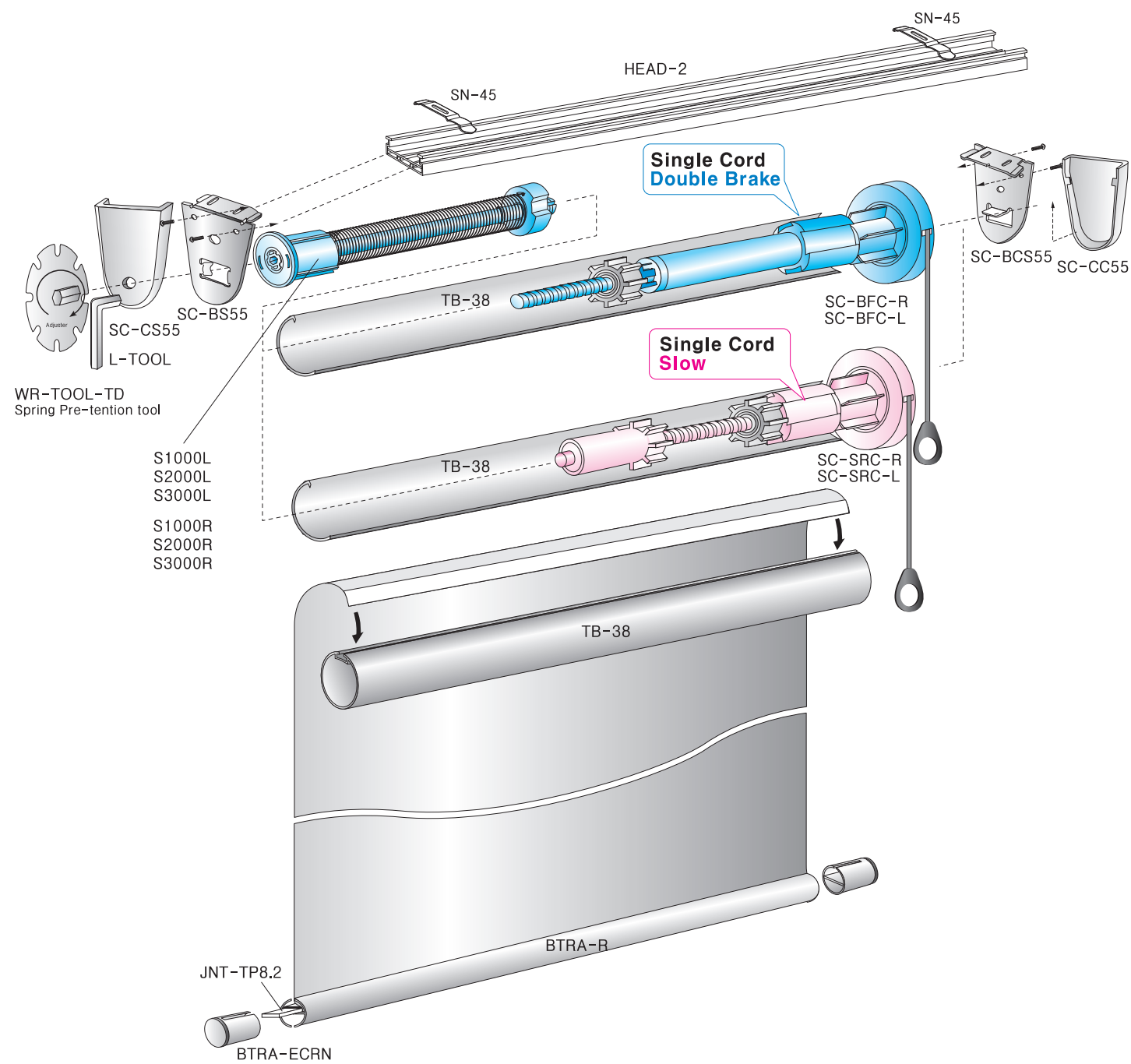
- Plated
- Honeycomb
- Roman shade



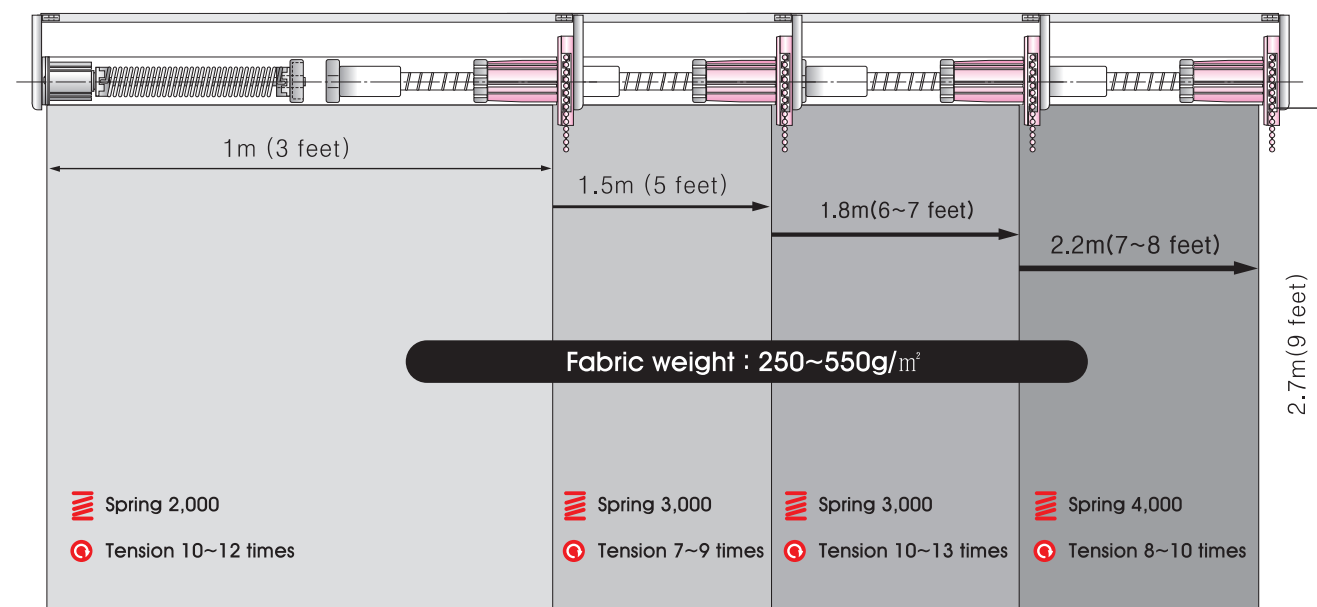
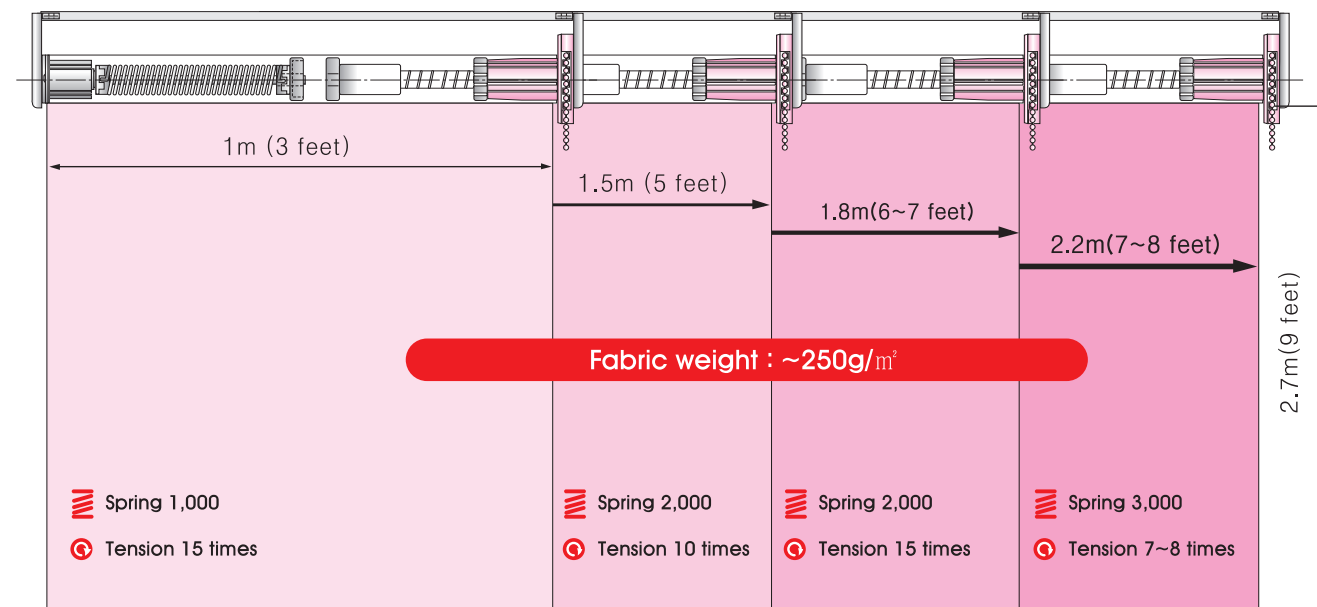
WINHOUSE
For the best window fashion

Winhouse works for Client's Success!!

Single Cord (Double Brake & Slow)



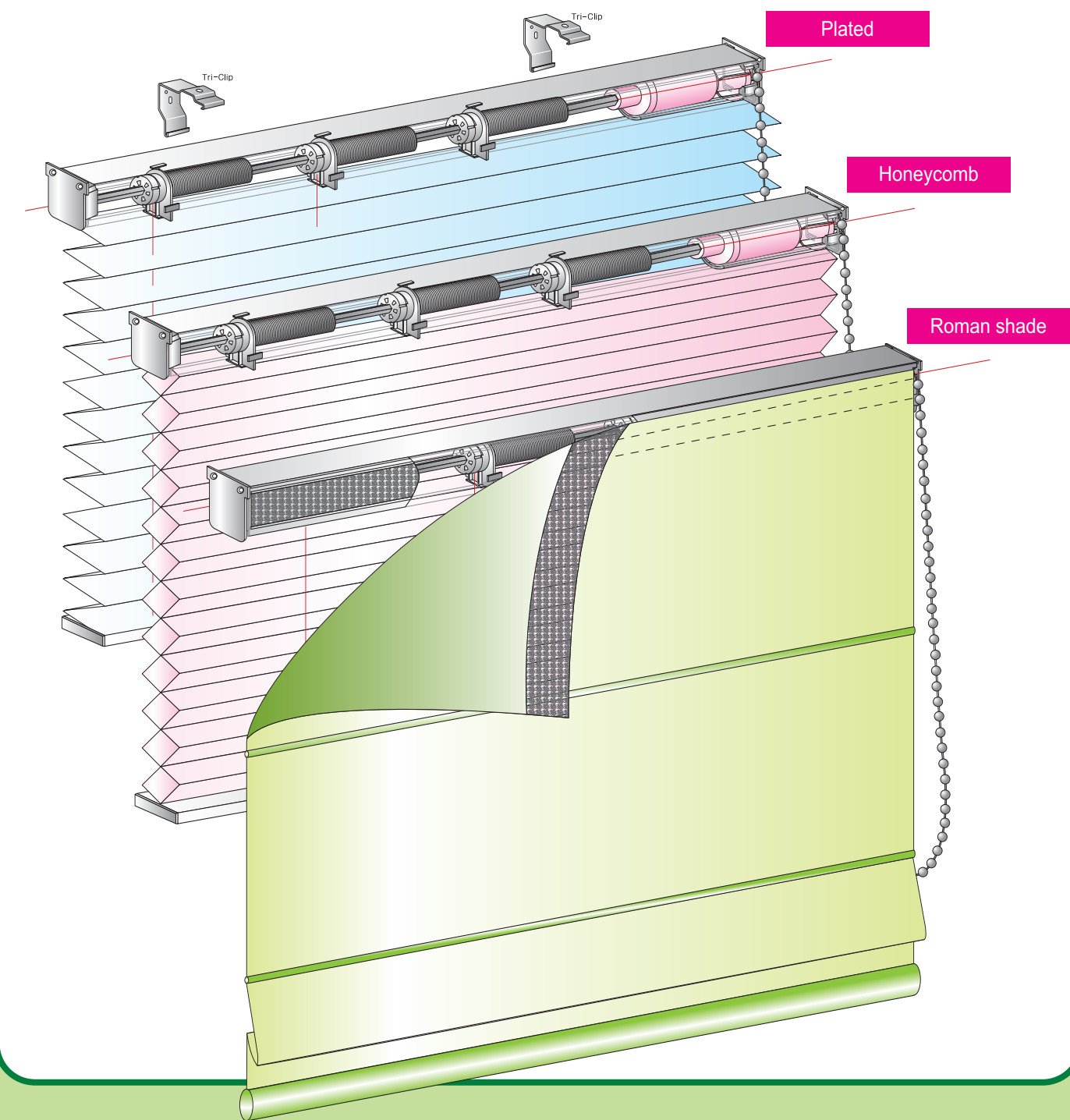
< Remark > Can do +/- tension according to Fabric's condition



Triple

It is Easy! & Simple system!!

You can make custom size of Roman shade, Plated, Honeycomb quick & simple. We make everything for you! You just attach only fabric!!



Spring's power 1000 / 2000 / 3000

- 1000** - Normal fabrics (polyester, cotton fabrics etc) small wide blackout fiber glass Fabric
Max width: 2,2m/7.5 feet [38mm(1½") tube] Max Length: 2,7m(9feet) Max weight: 1.8kg(4Lb)
- 2000** - Heavy fabrics (Black out, glass fiber screen .Home cinema screens)
Max wide: 2,2[38mm(1½") tube] Max Length: 2,7m(9,0 Feet) Max Weight: 2.5kg(5-6Lb)
- 3000** - Heavy fabrics (Black out, fiber glass screen and Home cinema screens)
Max wide: 2,2[38mm(1 1/2") tube] Max Length: 2,7m (9,0feet) Max Weight: 3kg(6~7Lb)

Ready made size (Right Control, Left Control)

90cm (3 feet)	180cm (6 feet)	Capacity /	Max Width 2.4m(7~8 feet)
120cm (4 feet)	210cm (7 feet)	Max Weight /	2kg/ 4 lbs
150cm (5 feet)	240cm (8 feet)	Max Height /	2.7m
		Fabrics /	Fabrics (~250g)